

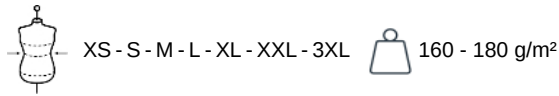


WK708

Ladies' polycotton trousers

- Designed for industrial washing, it guarantees protection and hygiene on an everyday basis.
- Durable polycotton fabric that is durable and feels comfortable all day long.
- Detachable brand label for easy decoration access.

65% polyester/35% cotton. Twill fabric. ISO standard 15797 Industrial wash 75°C (20 washes). 2 Italian side pockets + 1 back patch pocket with reinforcements. Elasticated waistband with inner drawstring. Tear-away brand label.



More information

Logistic



5



20



PK - Pakistan

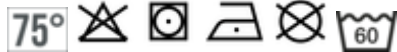
Country of origin

Customs code



62046311

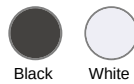
Washing instructions



Also available in version



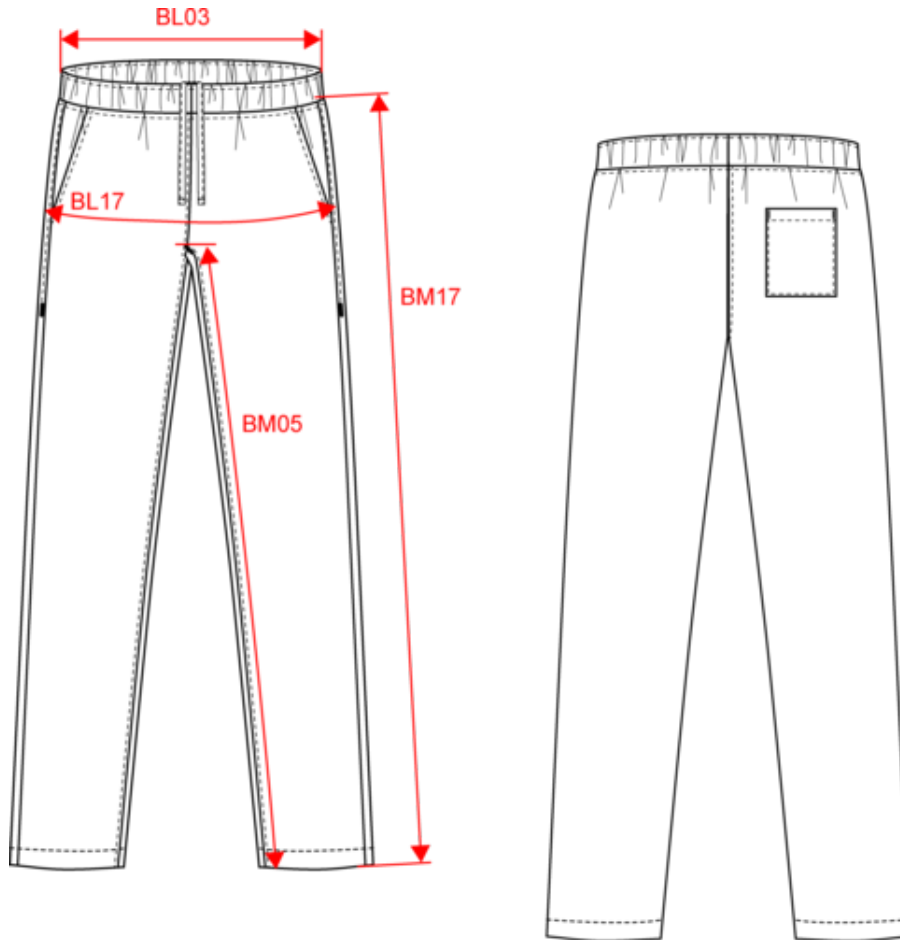
WK707



WK708

Ladies' polycotton trousers

Dimensions (cm)



Measurements in cm	XS	S	M	L	XL	XXL	3XL
BL03 - 1/2 elasticated waist width relaxed (front over back)	34.00	36.00	38.00	41.00	44.00	47.00	50.00
BL17 - 1/2 hip width (measured parallel to waistband)	47.00	50.00	53.00	56.00	59.00	62.00	65.00
BM05 - Inseam length	82.00	82.00	82.00	82.00	82.00	82.00	82.00
BM17 - Side length (waistband excluded)	105.00	100.50	101.25	102.00	102.75	103.50	104.25



WK708

Ladies' polycotton trousers

Colours information



Black

RVB : 35,35,37
Pantone C : Black
Pantone TCX : 19-4004TCX



White

RVB : 236,236,252
Pantone C : White
Pantone TCX : 11-0601TCX

Logistic



5



20

Sizes	Width (cm)	Height (cm)	Length (cm)	Net weight (kg)	Gross weight (kg)	Pieces/Box	Pieces/Bundle
XS	40.00	20.00	60.00	5.55000	6.55000	20	5
S	40.00	20.00	60.00	5.80000	6.80000	20	5
M	40.00	20.00	60.00	6.15000	7.15000	20	5
L	40.00	20.00	60.00	6.35000	7.35000	20	5
XL	40.00	20.00	60.00	6.60000	7.60000	20	5
XXL	40.00	20.00	60.00	6.90000	7.90000	20	5
3XL	40.00	20.00	60.00	7.20000	8.20000	20	5